

FWC881*

Wine Cooler

Installation, use and maintenance

Contents

- 3 Important information
- 4 Disposal at the end of the appliance's life
- 6 Before first use
- 8 Use and controls
- 9 Optimal temperature selection and settings mode
- 11 Dynamic, silent modes and humidity control
- 12 Sabbath mode, door alarm, interior light
- 13 Removing the shelves and temperature alarm
- 14 Care and cleaning
- 15 Troubleshooting
- 17 Installation and ventilation
- 18 Installing the handle
- 19 Reversing the door
- 21 Fitting the plinth
- 22 Electrical information
- 24 Bottle loading plan
- 25 Climate range
- 26 Notes

Important

The CDA Group Ltd cannot be held responsible for injuries or losses caused by incorrect use or installation of this product. Please note that CDA reserve the right to invalidate the guarantee supplied with this product following incorrect installation or misuse of the appliance or use in a commercial environment.

This appliance is not designed to be used by people (including children) with reduced physical, sensorial or mental capacity, or who lack experience or knowledge about it, unless they have had supervision or instructions on how to use the appliance by someone who is responsible for their safety. Under no circumstances should any external covers be removed for servicing or maintenance except by suitably qualified personnel. This refrigeration appliance is intended for use as a built-in appliance. Do not use the appliance if the plug, the mains cord or the appliance itself is damaged. If the mains cord is damaged, you must have it replaced by the manufacturer, or an authorised service centre or similarly qualified persons in order to avoid a hazard.

Children should be supervised to ensure that they do not play with the appliance. Keep the mains cord out of the reach of children.

Appliance information:

Please enter the details on the appliance rating plate below for reference, to assist CDA Customer Care in the event of a fault with your appliance and to register your appliance for guarantee purposes.



| | |
|-----------------|--|
| Appliance Model | |
|-----------------|--|

| | |
|---------------|--|
| Serial Number | |
|---------------|--|

Declarations of Conformity:

This appliance has been manufactured to comply with all EU & UK statutory requirements and complies with all applicable legislation and the following European Directives:


- The Low Voltage Directive 2014/35/EU
- Electromagnetic Compatibility Directive 2014/30/EU
- ErP Directive 2009/125/EC
- Directive RoHS 2011/65/EC

The product has been marked with the  and  symbols.

IMPORTANT INFORMATION FOR CORRECT DISPOSAL OF THE PRODUCT IN ACCORDANCE WITH EC DIRECTIVE 2012/19/EU.

Please render the appliance unusable before disposal. This includes removing the plug and breaking the door fixings to prevent children being trapped inside the appliance during play, or any other risk of injury.

At the end of its working life, the product must not be disposed of as urban waste. It must be taken to a special local authority differentiated waste collection centre or to a dealer providing this service.

Disposing of a household appliance separately avoids possible negative consequences for the environment and health deriving from inappropriate disposal and enables the constituent materials to be recovered to obtain significant savings in energy and resources. As a reminder of the need to dispose of household appliances separately, the product is marked with a crossed-out wheeled dustbin. 

- This appliance is marked according to the European directive 2012/19/EU on Waste Electrical and Electronic equipment (WEEE).
- Repairs carried out by unqualified persons may seriously endanger the appliance user.
- Pursuant to Commission Regulation (EU) 2019/2019, The minimum availability period for spare parts necessary to repair the appliance is 7 or 10 years depending on the type and purpose of the spare part.
- The list of spare parts and the ordering procedure are available on the websites of the manufacturer, importer or an authorised representative.
- The minimum warranty period for the appliance offered by the manufacturer, importer or authorized representative is given in the warranty card.
- The warranty shall be void if you make any independent adaptations or alterations, tamper with seals or other appliance safety devices or its parts or interfere with the appliance contrary to operating instructions.

For more information about the product, please refer to the EU EPREL Product Database at <https://eprel.ec.europa.eu>. Alternatively you can use your mobile device to scan the QR code on the energy label or enter the product model listed on the energy label in the EPREL search engine.

Before first use

You must allow the appliance to settle for at least twenty four hours prior to switching the power on.

It is recommended that you remove all internal and external packaging and clean the interior of the appliance prior to first use, using a solution of bicarbonate of soda and warm water and then thoroughly dry the interior.

The appliance may have an odour to it at first use. This will disappear as the appliance cools.

Please note:


- The appliance will work continuously until it gets to the correct temperature.
- If the appliance is switched off, you should allow five minutes before switching it on again to prevent the risk of unnecessary damage to the compressor.
- The LED display may not show the selected temperature whilst the appliance first gets to the correct temperature. This is normal, and the display will be corrected automatically once the appliance has run for a few hours.

Use

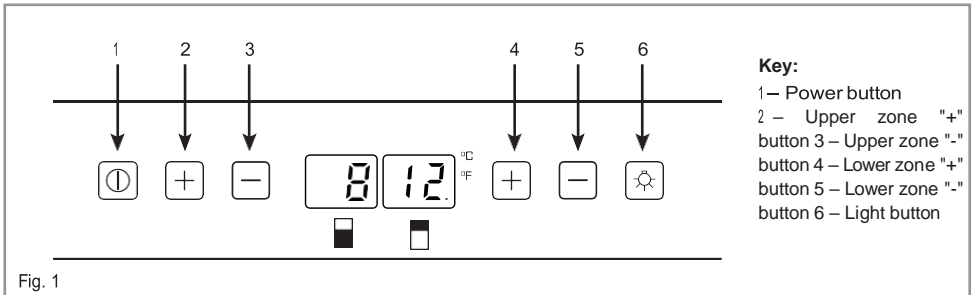
- Only store wine in sealed containers.
- Do not overload the cabinet.

- Only open the door when necessary.
- Do not cover the shelves with aluminium foil or anything else that will prevent air from circulating around the cabinet.
- To prevent damage to the door seal, ensure the door is fully open before removing the shelves.
- This is a self-defrosting appliance. The compressor will not run during the thirty minute defrost cycle.
- Do not pull the shelves beyond the anti-stop position (approximately one third out) when fully loaded.
- This appliance is intended to be used exclusively for the storage of wine.
- In the event of a power failure, leave the door closed as much as possible to maintain the internal working temperature. Should the power failure continue for a prolonged period, you should take steps to protect the contents of the wine cooler against a rise in temperature. The wine cooler will remember the selected temperature settings and revert to these settings once the power is restored.

This appliance is suitable for use in an extended temperature climate (ST) and has a normal operating ambient temperature of 16-38°C. Use of the appliance below 10°C may cause performance issues that are not indicative of a fault. Normal operation will resume once the appliance is within the specified range.

Note: If the appliance does not have a freezer compartment() it is not suitable for freezing foodstuffs.

Use and controls



To switch the power on/off

- Press and hold the power button for one second to switch the wine cooler on.
- Press and hold the power button for five seconds to switch the wine cooler off.

To change the temperature

- Touch the "+" or "-" buttons for the appropriate zone until the required temperature is shown on the display.
- The preset temperature is 8°C/46°F for the upper zone and 12°C/54°F for the lower zone.
- To view the set temperature, touch the appropriate "+" or "-" button at any time and the set temperature will flash in the LED display for five seconds.
- The display shows the current internal temperatures when the wine cooler is on.

Optimal temperature selection

Whilst wine is best stored at temperatures between 13°C and 15°C, your wine can also be stored at drinking temperature, for red wine this is between 15°C and 17°C, and for white wine between 12°C and 13°C.

| Wine Type | Recommended Temp. |
|------------------|-----------------------|
| Red Wine | 15 - 18°C (59°F-64°F) |
| Dry / White Wine | 9 - 14°C (48°F-57°F) |
| Rosé Wine | 10 - 11°C (50°F-52°F) |
| Sparkling Wine | 5 - 8°C (41°F-46°F) |

To use the internal light

- Press and hold the light button for 5 seconds to switch the light on or off. The internal light indicator will light up or go out to confirm the selection.
- The internal light indicator is the dot at the bottom right of the display.

Please note:

The temperature in the lower zone must be set either the same as or higher than the temperature in the upper zone.

Use

Settings mode

Certain settings on the wine cooler can only be selected in settings mode. At the same time in settings mode only the **UP** and **DOWN** keys of lower zone are valid for dual zone and three zone units.

- °F/°C Selection
 1. Lightly touch and hold the **UP** key for 5 seconds.
 2. Use the **UP** and **DOWN** keys to select the temperature setting in Fahrenheit or Celsius degree.
 3. Touch the **POWER** key to confirm your selection.
 4. Touch and hold the **UP** key for 5 seconds to leave settings mode. Otherwise the appliance exits settings mode automatically after approximately one minute.
- Display Brightness
 1. Lightly touch and hold the **UP** key for 5 seconds and then touch the **POWER** key once.

2. Use the **UP** and **DOWN** keys to select the brightness of the display. The factory default setting is d1.
d0: off
d1: dimmest setting
d2: medium setting
d3: brightest setting
3. Touch the **POWER** key to confirm your selection.
4. Touch and hold the **UP** key for 5 seconds to leave settings mode. Otherwise the appliance exits settings mode automatically after approximately one minute.

- Interior Lighting Brightness

1. Lightly touch and hold the **UP** key for 5 seconds and then key twice.
2. Use the UP and DOWN keys to select the brightness of the interior
3. lighting. The factory default setting is L3.
L0: off when the door is closed or open.
L1: dimmest setting
L2: medium setting
L3: brightest setting
4. Touch the **POWER** key to confirm your selection.
5. Touch and hold the **UP** key for 5 seconds to leave settings mode. Otherwise the appliance exits settings mode automatically after approximately one minute.

- Fan Mode

1. Lightly touch and hold the UP key for 5 seconds and then touch the **POWER** key three times.
2. Use the **UP** and **DOWN** keys to select the fan mode. The factory default setting is F0.
F0: Silent mode – Energy saving mode
F1: Dynamic cooling mode - half time
F2: Dynamic cooling mode - full time
3. Touch the **POWER** key to confirm your selection.
4. Touch and hold the **UP** key for 5 seconds to leave settings mode. Otherwise the appliance exits settings mode automatically after approximately one minute.

- Audible Tones

1. Lightly touch and hold the **UP** key for 5 seconds and then touch the **POWER** key four times.
2. Use the **UP** and **DOWN** keys to select the audible tones. The factory default setting is S1.
S0: sensor tone ON, alarm tone OFF
S1: sensor tone ON, alarm tone ON

- S2: sensor tone OFF, alarm tone OFF
S3: sensor tone OFF, alarm tone ON
3. Touch the **POWER** key to confirm your selection.
 4. Touch and hold the **UP** key for 5 seconds to leave settings mode. Otherwise the appliance exits settings mode automatically after approximately one minute.

Temperature display

The temperature display will show the current internal temperature. The display flashes:

- When a different temperature is being set.
- If the internal temperature is $\pm 5^{\circ}$ away from the set temperature. This serves as a warning to prevent damage to the contents of the appliance should the temperature be too high.

Dynamic Cooling and Silent modes

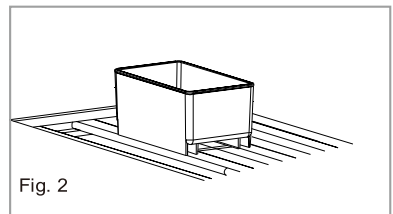
The appliance has two different running modes. In Silent mode once the required temperature is reached, the appliance will run without the fan. The wine cooler is factory set to Silent mode. In Dynamic cooling mode the fan cycles on and off to circulate the air even after the required temperature is reached. This ensures consistent humidity and temperature distribution in the wine cooler, creating perfect conditions for long term storage.

Using the Dynamic cooling mode increases the level of noise in operation.

Humidity Control

The wine cooler is equipped with a humidity control system to maintain optimal humidity within the wine cooler.

- Fill the humidity reservoir (fig. 2) approximately 3/4 full with water.
- Place the reservoir over the special lugs toward the back of the bottom shelf in the upper section of the wine cooler, as shown in fig 2. Ensure it is located correctly to prevent water spillage.
- Check the water level regularly and refill if required.



Sabbath mode

Sabbath mode is available for the observance of certain religious holidays. This will switch off the displays, interior light and audible alarms. The cooling process will continue.

To switch the Sabbath mode on, touch and hold the power and light keys simultaneously for five seconds. The displays and interior lights will go out to confirm the Sabbath mode is on. Sabbath mode will switch off automatically after 96 hours, but to switch the Sabbath mode off at any time, touch and hold the power and light keys simultaneously for five seconds.

Door alarm

The wine cooler is equipped with an alarm that will sound if the door is left open for more than 60 seconds. To switch off the alarm, press any button. If the temperature has risen beyond the set temperature, the display will flash until the zone has returned to the required temperature.

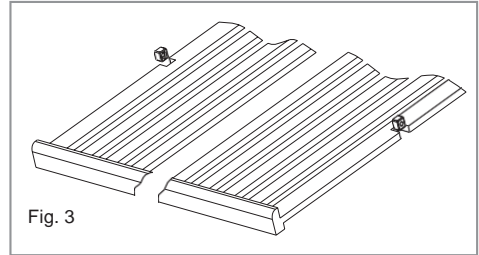
Interior light

The wine cooler has two options for the interior lights. To change from one option to the other, press and hold the light button for 5 seconds.

- **Display mode** - This mode will leave the interior light on constantly, allowing you to see the contents of the wine cooler at a glance at any time. The light indicator will light up in display mode.
- **Energy saving mode** - This mode only switches on the interior light when the door is opened.

Removing the shelves

To remove a shelf from the wine cooler, first remove all bottles from the shelf, then pull the shelf forwards until the groove on either side of the shelf is level with the plastic peg on either side of the cabinet (as shown in fig. 3). Then lift the shelf up and pull forwards. To replace the shelves, follow the steps above in reverse order.



Temperature alarm

If the temperature rises or falls outside the set temperature range, an alarm will sound and the display will flash. This could be because:

- The wine cooler has not yet reached the set temperature (when first switched on).
- There has been a power failure.
- The wine cooler has been overloaded.
- The door is not closed properly.

Care and cleaning

Always disconnect the appliance from the mains electrical supply before any cleaning or maintenance.

- Do not use abrasive products or detergents. After washing, rinse and dry thoroughly.
- The exterior of the appliance and the door seal should be cleaned using mild soapy water and dried thoroughly.
- The cabinet interior should be cleaned using a solution of bicarbonate of soda and lukewarm water.
- Clean the shelves separately by hand using soap and water. Do not put them in the dishwasher.
- Ensure that the cloth is only moist when cleaning the control panel and electrical parts, and that all water is thoroughly dried before reconnecting the power.
- Once cleaning is complete, reconnect the mains electrical supply. If
- the appliance is not to be used for prolonged periods of time, unplug and clean the appliance thoroughly. The door should be left slightly ajar to prevent the formation of odours or condensation.

Troubleshooting

If you have any problems with your appliance you should check the troubleshooting guide prior to calling CDA Customer Care, to prevent unnecessary service calls and potential cost.

If the appliance is not working, check

- There is power to the appliance.
- The house fuses or circuit breakers are intact and the fuse in the plug has not blown.
- The plug socket is functioning correctly. To check this, plug another electrical appliance in to see if the socket is working.
- The ambient temperature is between 16° to 38°C.

If the appliance is working, but not very well, check

- The appliance is not overloaded.
- The thermostat is set to an appropriate temperature.
- The door is closing properly.
- The door gasket is sealing properly.
- There is enough ventilation at the side and rear walls.
- The ambient temperature is between 16° to 38°C.

If the display shows “E1” or “E2”

- The temperature sensor has failed. Contact CDA Customer Care to arrange a repair. Contact details are on the back of this manual.

If the appliance is noisy, check

- The appliance is level and stable.

Note: The cooling gas will make some noise, even when the compressor is not running.

Note: During operation, it is normal for the fan to run, even when the compressor is not running.

If the light does not work, check

- There is power to the appliance.
- The house fuses or circuit breakers are intact and the fuse in the plug has not blown.
- The light button is not set to off.

Please note:

The LED lighting cannot be replaced without a service call. If the light fails, contact CDA Customer Care.

If the door will not close properly, check

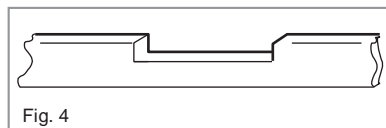
- The appliance is level and stable.
- If the door has been removed, it may not have been correctly refitted.
- The door seal is not dirty.
- The shelves are positioned correctly.

If the appliance beeps continuously

- It is likely a door sensor has failed. Contact service.

Installing the wine cooler

This appliance is intended to be installed in a space between two units.



The minimum space required is:

FWC881 – 595mm wide x 575mm deep x 1850mm high
(630 depth with handle)

Please note: When the product is installed, there should be a small ventilation gap between the top of the unit and the underside of any fitting above (6 mm or 1/4”).

This product should not be installed:

1. In direct sunlight.
2. Adjacent to a heat source (oven or radiator).
3. Below a hob unit.
4. Where a continuous plinth is to be used, it is necessary cut a section out so that the ventilation slots at the front of the appliance are not obstructed in any way (Fig. 4).

Attach the single piece lower ventilation trim to the plinth area of the appliance.

IMPORTANT: Failure to follow the instructions regarding installation and ventilation may affect the appliance and invalidate the warranty supplied.

To install the handle

IMPORTANT: Do not overtighten the screws, and do not use power tools to install the handle.

1. Carefully locate the handle in the required position (this would normally be the higher of the two positions as shown in Fig. 5).
2. Fix the handle in position using the screws supplied.

IMPORTANT: Take care when installing the handle not to damage the door. Any damage caused may not be covered by the warranty supplied with your appliance.

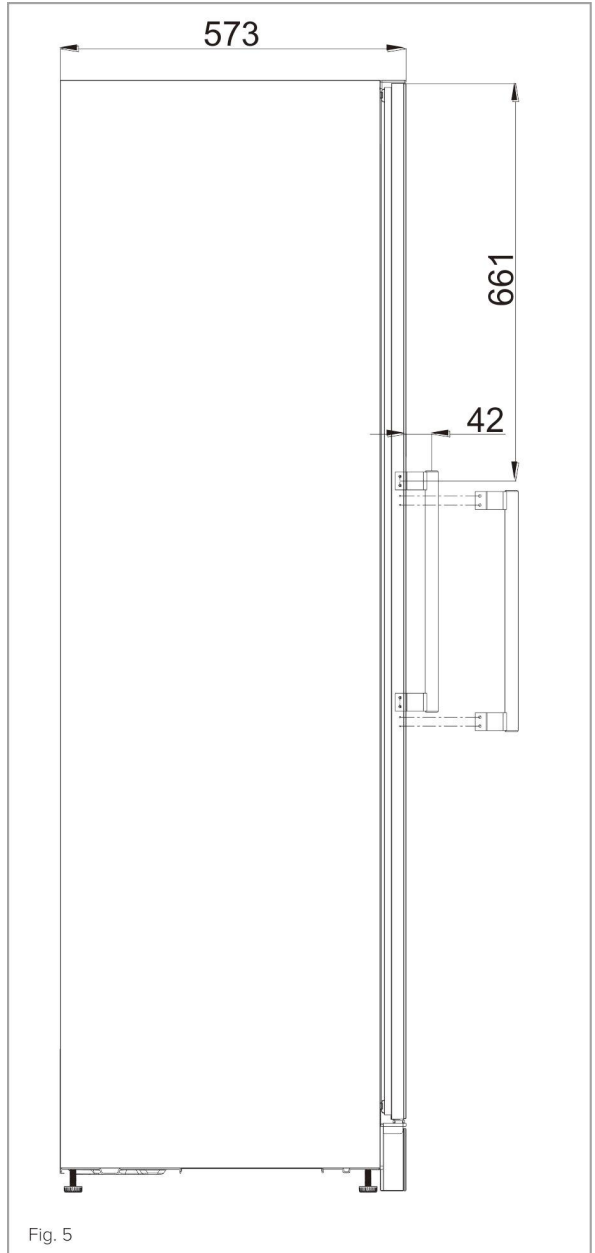
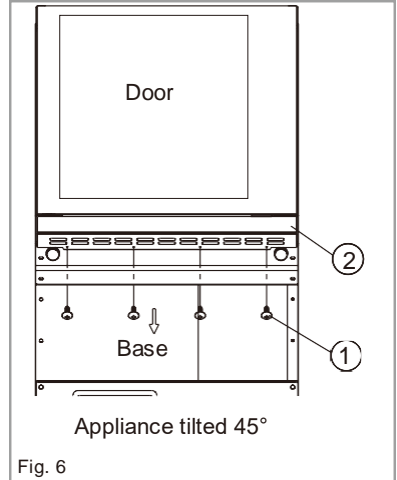


Fig. 5

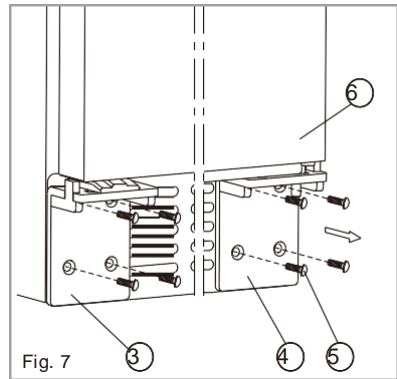
Reversing the door

It is possible to reverse the door on this appliance, if required. **We recommend the help of at least one other individual throughout this process. Protect the area beneath the door with several clean towels or similar protective means. Do not tilt the appliance further than 90° during this process. Allow the cooler to settle for at least 8 hours before switching on after tilting.**

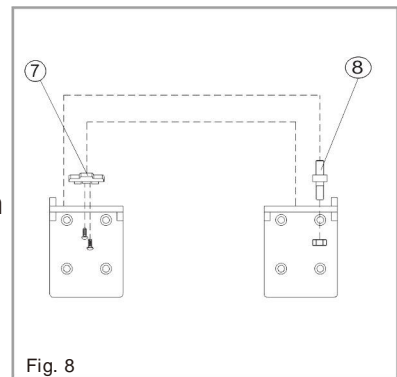


1. Unscrew the four screws (1) and then remove the plinth (see page 19).
2. Remove the bottom hinge plates (3,4) by unscrewing the eight lock screws (5).

Be careful to hold the door to prevent damage. (Fig.7)

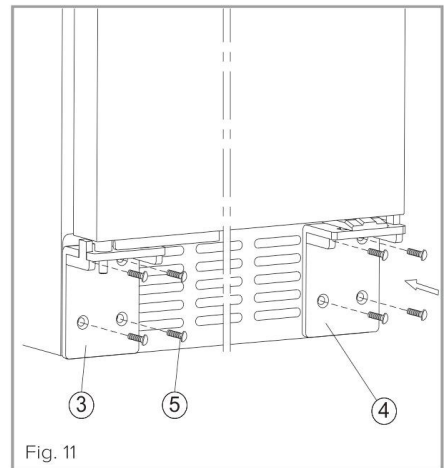
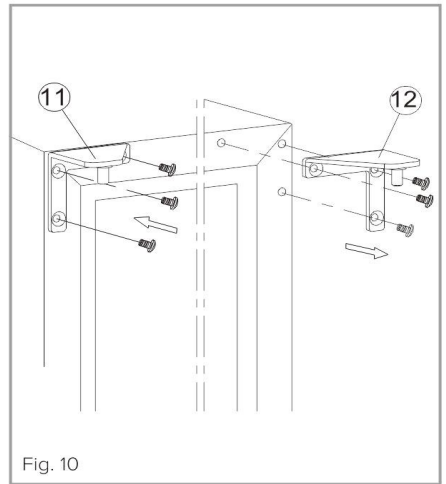
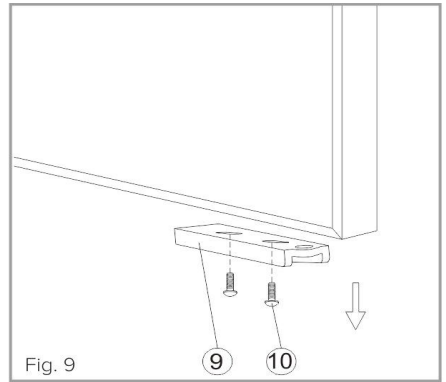


3. Gently lower the door to remove it from the top hinge and place it on a padded surface to avoid damage. Remove the top hinge (11 or 12 in Fig. 10).
4. Pop out the cover caps on the left hand side of the cabinet and use them on the now exposed screw holes.
5. Screw the alternative hinge included in the fittings on the left hand side of the



cabinet (Fig.10).

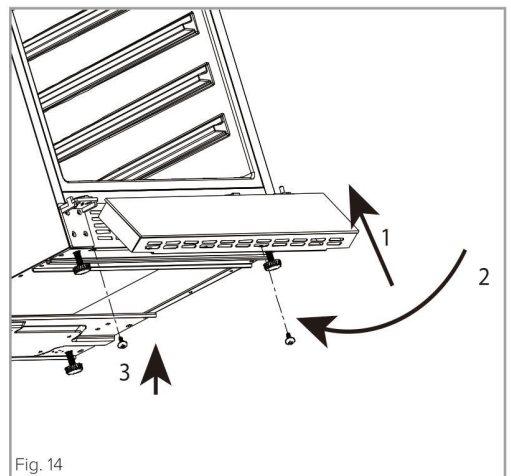
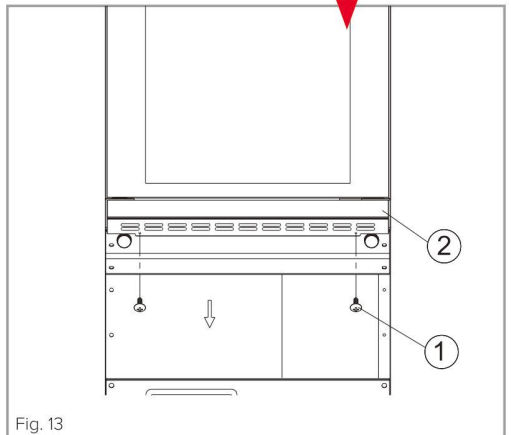
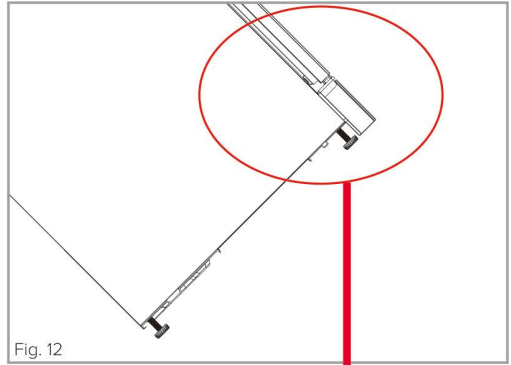
6. Unscrew and transfer the hinge pin (8) and door support (7) to the opposite lower hinge (Fig.8).
7. Unscrew and transfer the door adapter (9) to the designated top positions of the door (Fig.9).
8. Rotate the door 180° and relocate it to the designated position. Screw the bottom hinges on and tighten them (Fig.11).
9. Adjust door alignment by loosening the screws (10) and repositioning the door adapter (9) to achieve the desired level. (Fig.9).
10. Transfer the handle and caps to the opposite positions.
11. Refit the plinth by following the steps on page 19.



Fitting the plinth

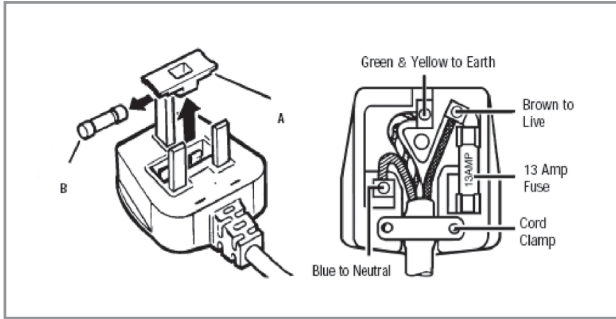
We recommend the help of at least one other individual throughout this process. Protect the area beneath the door and plinth with several clean towels or similar protective means. Do not tilt the appliance further than 90° during this process. Allow the cooler to settle for at least 8 hours before switching on after tilting.

1. Unscrew and remove the two screws that are used to fix the plinth and bottom bracket (File 13).
2. Insert the tabs on the glass fronted plinth section into the top slots of the metal plinth, as per part 1 of Fig. 14. Manoeuvre the plinth so that the holes in the inner lip of the glass fronted plinth section are level with the holes in the metal plinth (2 in Fig, 14). Refit the screws (3 in Fig. 14).



Electrical information

Warning! This appliance must be earthed.



The mains lead of this appliance has been fitted with a BS 1363A 13 Amp fused plug. To change a fuse in this type of plug, follow the steps below:

1. Remove the fuse cover and fuse.
2. Fit replacement 13A fuse, ASTA approved to BS 1362 type, into the fuse cover.
3. Replace fuse cover.

Important: Do not use the appliance without the fuse cover in position.

How to connect an alternative plug

If the fitted plug is not suitable for your socket outlet then it should be cut off and disposed of safely to avoid possible shock hazard. A suitable alternative plug of at least 13 Amp rating to BS1363 should be used.

As the colours of the wires in the mains lead of this appliance may not correspond with the coloured markings identifying the terminals in your plug, proceed as follows:

- The wire which is coloured GREEN and YELLOW must be connected to the terminal which is marked with the letter (E) or by the Earth symbol \perp or coloured GREEN and YELLOW.
- The wire which is coloured BLUE must be connected to the terminal which is marked with the letter (N) or coloured BLACK.
- The wire which is coloured BROWN must be connected to the terminal which is marked with the letter (L) or coloured RED.

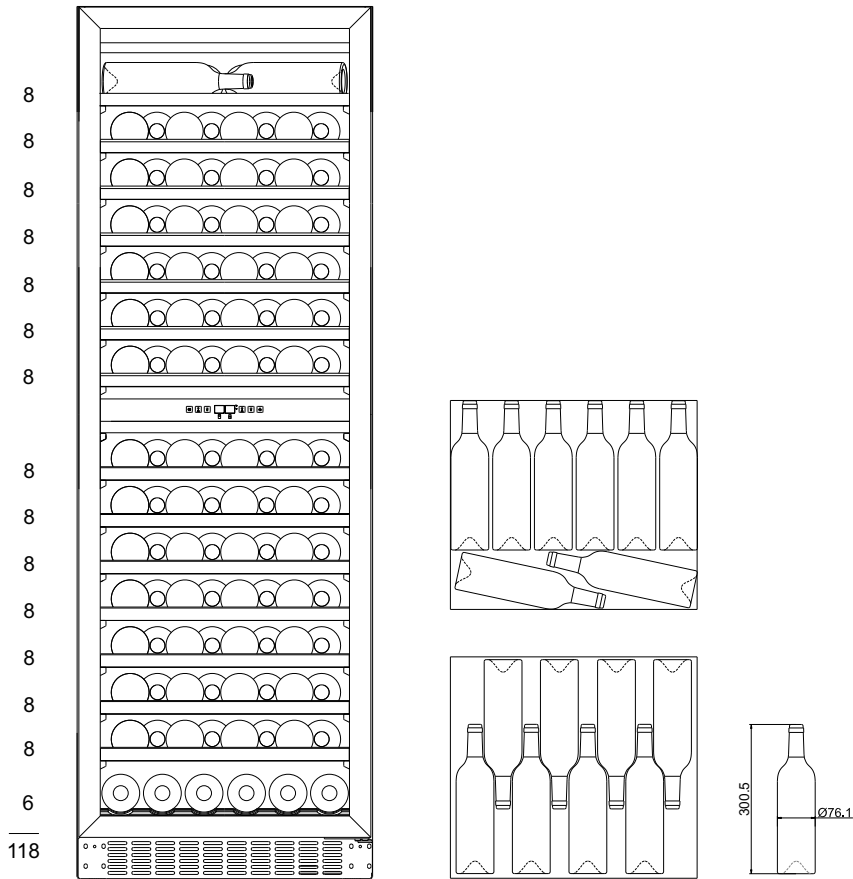
If in doubt regarding the electrical connection of this appliance, consult a qualified electrician. Do not shorten the supply cable, the appliance may require removing for servicing.

N.B. Ensure that the plug socket is situated in an easily accessible place.

Bottle storage

To achieve the most effective preservation of your wine for the longest time possible and avoiding any waste, position the products as shown in the diagrams in this section. In addition, this figure illustrates the layout of drawers, baskets and shelves, which allows the most efficient use of energy.

Optimal temperature and storage conditions will extend product shelf life and optimize electricity consumption. Optimal storage temperature should be stated on the food product packaging.



Climate Range

The information about the climate range of the appliance is provided on the rating plate. It indicates at which ambient temperature (that is room temperature in which the appliance is working) is optimal for the operation of the appliance.

| Climate class | | Allowable ambient temperature |
|----------------------|--------------------|--|
| SN | Extended Temperate | This refrigeration appliance is intended for use at an ambient temperature ranging between 10°C and 32°C |
| N | Temperate | This refrigeration appliance is intended for use at an ambient temperature ranging between 16°C and 32°C |
| ST | Sub Tropical | This refrigeration appliance is intended for use at an ambient temperature ranging between 16°C and 38°C |
| T | Tropical | This refrigeration appliance is intended for use at an ambient temperature ranging between 16°C and 43°C |

Notes

Notes

A dark grey banner with a white square at the top containing the number '5'. Below the square, the text 'YEAR PARTS' is written in large, bold, white capital letters, and '2 YEAR LABOUR' is written in smaller, white capital letters below it.

5

**YEAR
PARTS**
2 YEAR LABOUR

For service or queries relating to your product please contact:

The Customer Care Department on 01949 862 012 or email customer.care@cda.co.uk

For more information please contact:

The Sales Department on 01949 862 010 or email sales@cda.co.uk

Customer Care Department. The CDA Group Ltd, Harby Road, Langar, Nottinghamshire, NG13 9HY
T: 01949 862 012 F: 01949 862 003 E: customer.care@cda.co.uk